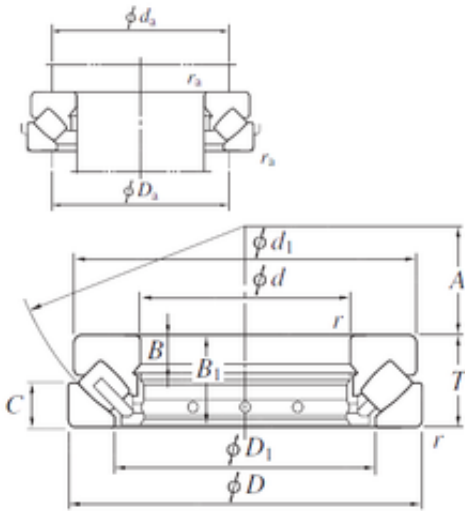




# NTN Bearing Driveshaft USA CORP.



29464R Bearing 2D drawings and 3D CAD models

320 mm x 580 mm x 55 mm KOYO 29464R  
Thrust roller bearings

Bearing No. 29464R

Size	320x580x155 mm
Bore Diameter	320 mm
Outer Diameter	580 mm
Width	155 mm
d	320 mm
D	580 mm
T	155 mm
d1	555 mm
r min.	75 mm
A	191 mm
B	55 mm
B1	149 mm
C	75 mm
D1	435 mm
da min.	435 mm
Da max.	495 mm
ra max.	6 mm
Weight	179 Kg
Basic dynamic load rating (C)	4160 kN
Bearing No.	29464R
r(min)	7.5
Ca	5190
Coa	16100
Oil lub.	500
da(min)	435



## NTN Bearing Driveshaft USA CORP.

Da(max)	495
ra(max)	6
(Refer.)Mass(kg)	179