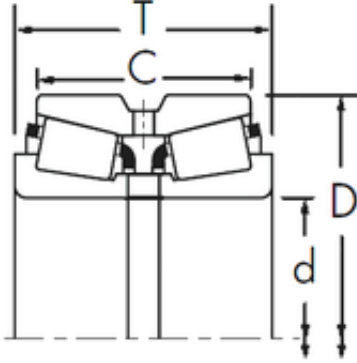




# NTN Bearing Driveshaft USA CORP.

## Timken 25580/25520DC+X1S-25581 Tapered roller bearings

Bearing No. 25580/25520DC+X1S-25581



25580/25520DC+X1S-25581 Bearing 2D drawings and 3D CAD models

Size	44.45x82.931x57.15 mm
Bore Diameter	44,45 mm
Outer Diameter	82,931 mm
Width	57,15 mm
d	44,45 mm
D	82,931 mm
T	57,15 mm
C	47,625 mm
R	3,5 mm
r	0,8 mm