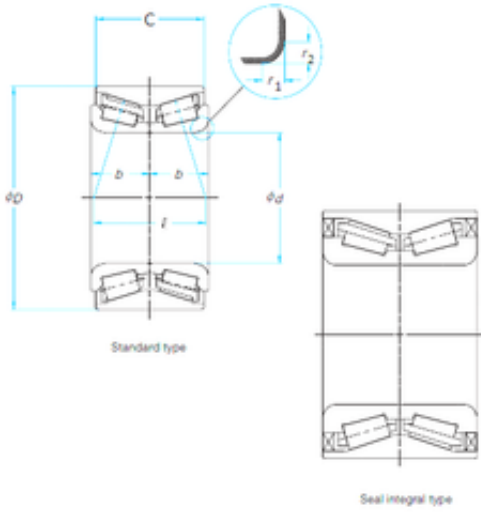




# NTN Bearing Driveshaft USA CORP.



25 mm x 52 mm x 42 mm SNR FC41950  
Tapered roller bearings

Bearing No. FC41950

Size	25x52x42 mm
Bore Diameter	25 mm
Outer Diameter	52 mm
Width	42 mm
d	25 mm
D	52 mm
B	42 mm
C	42 mm

FC41950 Bearing 2D drawings and 3D CAD models