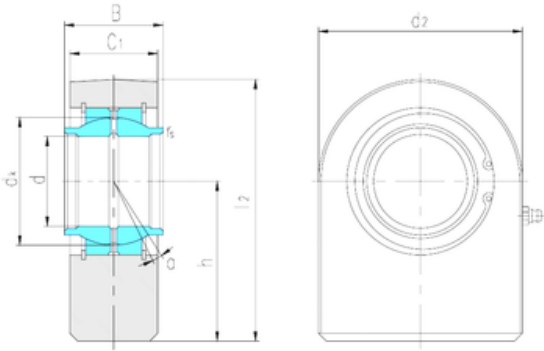




NTN Bearing Driveshaft USA CORP.



LS SFEW40ES Plain bearings

Bearing No. SFEW40ES

Bore Diameter	40 mm
d	40 mm
B	40 mm
d2	100 mm
dk	53 mm
h	69 mm
l2 max.	119 mm
r min.	0,6 mm
C1	35 mm
Angle	4 °
Weight	2,57 Kg
Basic dynamic load rating (C)	99 kN

SFEW40ES Bearing 2D drawings and 3D CAD models