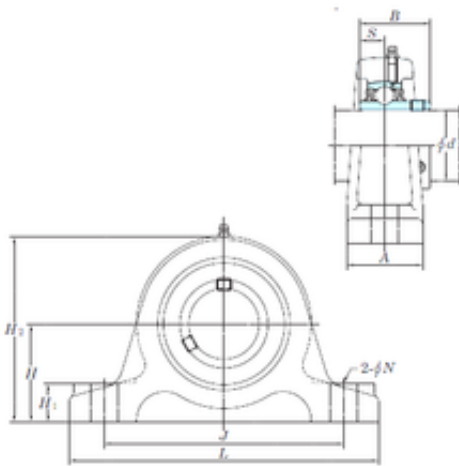




NTN Bearing Driveshaft USA CORP.



UCIP320 Bearing 2D drawings and 3D CAD models

KOYO UCIP320 Bearing units

Bearing No. UCIP320

Bore Diameter	100 mm
Width	108 mm
d	100 mm
A	85 mm
B	108 mm
H	150 mm
H1	45 mm
H2	295 mm
J	360 mm
L	430 mm
N	29 mm
S	42 mm
Bolt (G)	M27
Weight	36,9 Kg
Basic dynamic load rating (C)	173 kN
Basic static load rating (C0)	141 kN
Bearing No.	UCIP320
Bolt size	M27
Cr	173
C0r	141
f0	13.2
(Refer.) Unit mass(kg)	36.9
Nipple size	R1/8