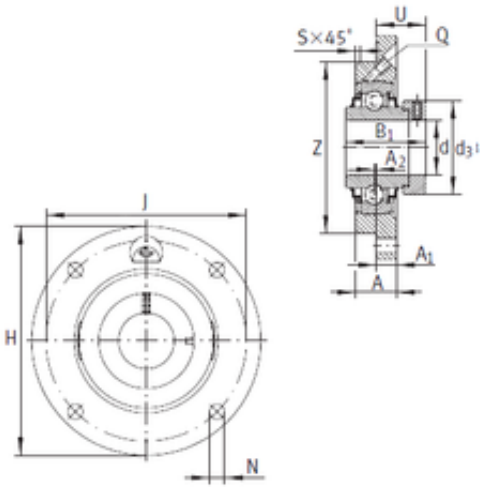




# NTN Bearing Driveshaft USA CORP.



RME45 Bearing 2D drawings and 3D CAD models

## INA RME45 Bearing units

Bearing No. RME45

|                               |                               |
|-------------------------------|-------------------------------|
| Bore Diameter                 | 45 mm                         |
| d                             | 45 mm                         |
| U                             | 32,9 mm                       |
| Thread (Q)                    | M6                            |
| Z                             | 105 mm                        |
| d3                            | 63 mm                         |
| A                             | 25 mm                         |
| A1                            | 12 mm                         |
| B1                            | 56,5 mm                       |
| H                             | 155 mm                        |
| J                             | 130 mm                        |
| N                             | 14 mm                         |
| S                             | 2 mm                          |
| A2                            | 2 mm                          |
| Weight                        | 2,05 Kg                       |
| Basic dynamic load rating (C) | 32,5 kN                       |
| Category                      | Flange Block Bearings         |
| Inventory                     | 0.0                           |
| Manufacturer Name             | SCHAEFFLER GROUP              |
| Minimum Buy Quantity          | N/A                           |
| Weight / Kilogram             | 2.05                          |
| Product Group                 | M06110                        |
| Number of Mounting Holes      | 4                             |
| Mounting Method               | Eccentric Collar              |
| Housing Style                 | 4 Bolt Round Flange Cartridge |



## NTN Bearing Driveshaft USA CORP.

|                                    |  |
|------------------------------------|--|
| Rolling Element                    | Ball Bearing   |
| Housing Material                   | Cast Iron  |
| Expansion / Non-expansion          | Non-expansion  |
| Mounting Bolts                     | 14 Millimeter  |
| Relubricatable                     | Yes  |
| Insert Part Number                 | GE45KRRB   |
| Seals                              | Double Land Riding Rubber Contact  |
| Housing Configuration              | 1 Piece Solid  |
| Pilot Configuration                | With Pilot   |
| Inch - Metric                      | Metric   |
| Long Description                   | 4 Bolt Round Flange Cartridge; 45MM Bore; 130MM Bolt Circle; 91.9MM Bolt Spacing; 1 Piece Solid; Eccentric Collar Mount; Cast Iron; Ball Bearing; 56.3MM Length Thru Bore; Relubricatable; Double Land R |
| Other Features                     | Single Row   Centering Spigot   With Set Screw   |
| Category                           | Flange Block   |
| UNSPSC                             | 31171501   |
| Harmonized Tariff Code             | 8483.20.40.40  |
| Noun                               | Bearing  |
| Keyword String                     | Flanged  |
| Manufacturer URL                   | <a href="http://www.ina.com">http://www.ina.com</a>  |
| Manufacturer Item Number           | RME45  |
| Weight / LBS                       | 4.52   |
| Bolt Spacing                       | 3.6 Inch   91.9 Millimeter   |
| Cartridge Pilot Diameter           | 4.134 Inch   105 Millimeter  |
| Bore                               | 1.772 Inch   45 Millimeter   |
| Length Thru Bore                   | 2.217 Inch   56.3 Millimeter   |
| Nominal Bolt Circle Diameter Round | 5.1 Inch   130 Millimeter  |



## NTN Bearing Driveshaft USA CORP.

|                       |                            |
|-----------------------|----------------------------|
| Cartridge Pilot Depth | 0.433 Inch   11 Millimeter |
|-----------------------|----------------------------|