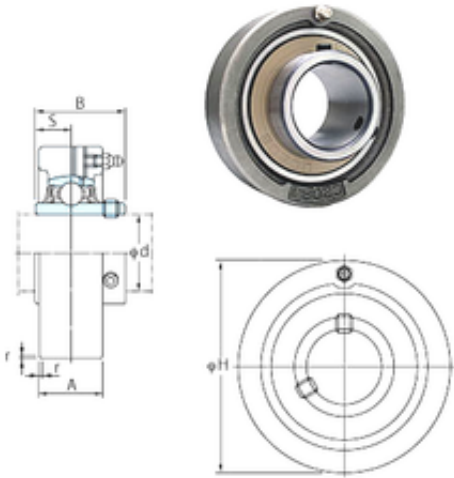




NTN Bearing Driveshaft USA CORP.

FYH UCC319 Bearing units

Bearing No. UCC319



UCC319 Bearing 2D drawings and 3D CAD models

Bore Diameter	95 mm
Width	103 mm
d	95 mm
r	4 mm
A	72 mm
B	103 mm
H	240 mm
S	41 mm
Weight	15,8 Kg
Basic dynamic load rating (C)	153 kN
Basic static load rating (C0)	119 kN