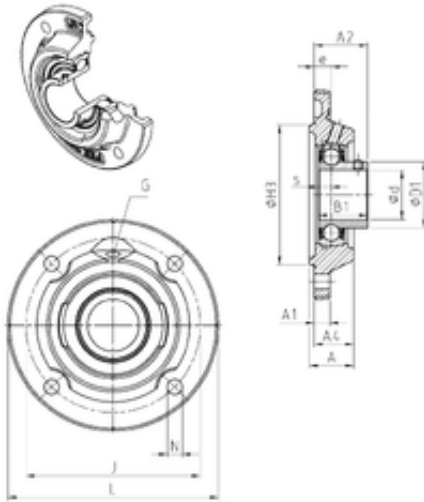




NTN Bearing Driveshaft USA CORP.



USFEE208 Bearing 2D drawings and 3D CAD models

SNR USFEE208 Bearing units

Bearing No. USFEE208

Bore Diameter	40 mm
d	40 mm
H3	100 mm
A4	27 mm
e	11,5 mm
s	9 mm
A	31 mm
A1	11,5 mm
B1	34 mm
D1	53 mm
J	120 mm
L	145 mm
N	11,5 mm
Thread (G)	R1/8"
A2	36,5 mm
Weight	1,8 Kg
Basic dynamic load rating (C)	29,6 kN