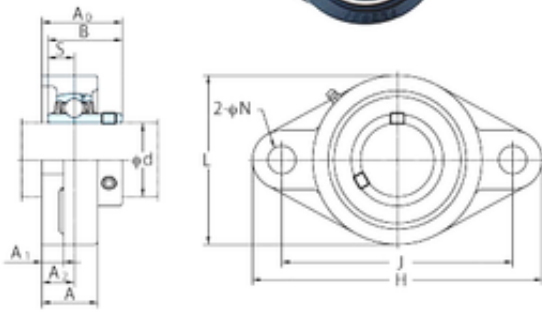




NTN Bearing Driveshaft USA CORP.

FYH UCFL306 Bearing units

Bearing No. UCFL306



UCFL306 Bearing 2D drawings and 3D CAD models

| | |
|-------------------------------|---------|
| Bore Diameter | 30 mm |
| d | 30 mm |
| A0 | 44 mm |
| A | 32 mm |
| A1 | 15 mm |
| B | 43 mm |
| H | 180 mm |
| J | 134 mm |
| L | 90 mm |
| N | 23 mm |
| S | 17 mm |
| Bolt (G) | 13,3 |
| Bolt (G) | M20 |
| A2 | 18 mm |
| Weight | 1,5 Kg |
| Basic static load rating (C0) | 26,7 kN |