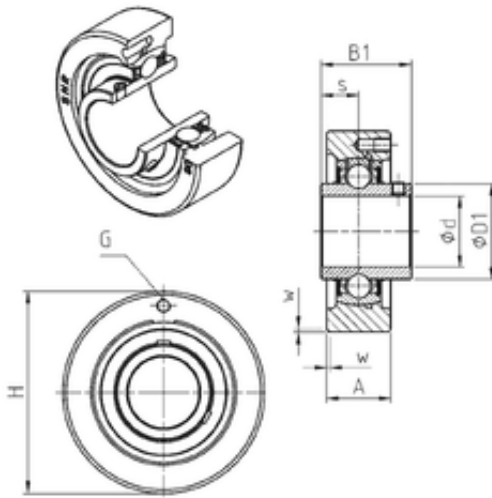




NTN Bearing Driveshaft USA CORP.



UCC321 Bearing 2D drawings and 3D CAD models

SNR UCC321 Bearing units

Bearing No. UCC321

Bore Diameter	105 mm
d	105 mm
s	44 mm
A	75 mm
B1	112 mm
D1	140,5 mm
H	260 mm
W	4 mm
Thread (G)	M10x1
Weight	20,2 Kg
Basic dynamic load rating (C)	182 kN
B	112 mm
A3	4 mm
A5	68 mm
G	M10x1
s1	56 mm
S	44 mm
SW	9 mm
C	182 kN
C0	155 kN
T min.	-20 ° C
T max.	100 ° C
Recommended tightening torque for set screw	75 Nm
Designation of housing	C321-
Designation of bearing	UC321G2



NTN Bearing Driveshaft USA CORP.