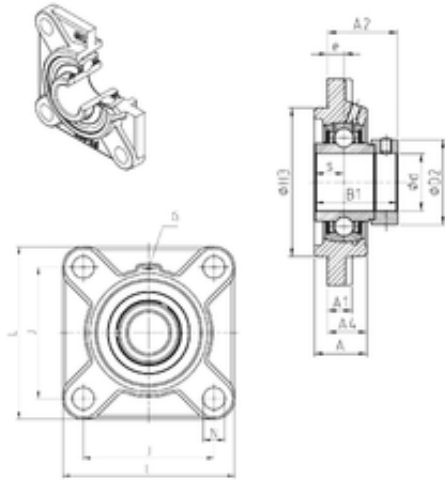




NTN Bearing Driveshaft USA CORP.



SNR EXFS308 Bearing units

Bearing No. EXFS308

Bore Diameter	40 mm
d	40 mm
H3	115 mm
A4	30 mm
e	13 mm
s	19,8 mm
A	40 mm
A1	17 mm
B1	57,1 mm
D2	63,5 mm
J	112 mm
L	150 mm
N	19 mm
Thread (G)	M6x1
A2	50,3 mm
Weight	3,2 Kg
Basic dynamic load rating (C)	40,56 kN

EXFS308 Bearing 2D drawings and 3D CAD models