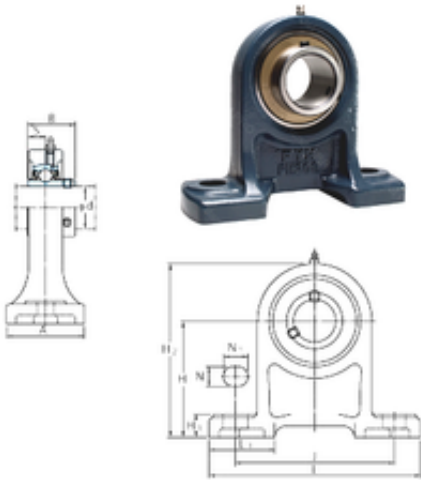




# NTN Bearing Driveshaft USA CORP.

## FYH UCPH202-10 Bearing units



Bearing No. UCPH202-10

Bore Diameter	15,875 mm
Width	31 mm
d	15,875 mm
A	40 mm
B	31 mm
H	70 mm
H1	15 mm
H2	101 mm
J	95 mm
L	127 mm
L1	46 mm
N	13 mm
N1	19 mm
S	12,7 mm
Bolt (G)	M10
Weight	0,94 Kg
Basic dynamic load rating (C)	12,8 kN
Basic static load rating (C0)	6,65 kN

UCPH202-10 Bearing 2D drawings and 3D CAD models