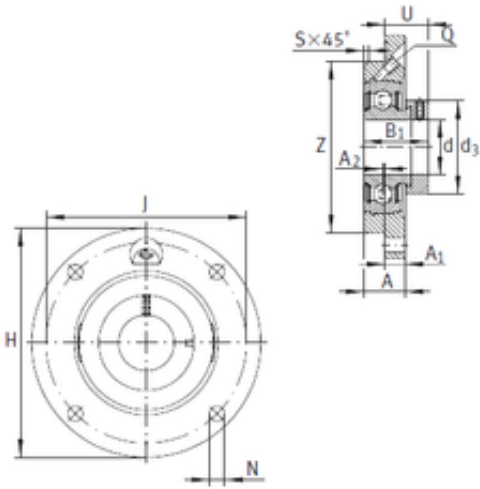




NTN Bearing Driveshaft USA CORP.



PME55 Bearing 2D drawings and 3D CAD models

INA PME55 Bearing units

Bearing No. PME55

Bore Diameter	55 mm
d	55 mm
U	36,4 mm
Thread (Q)	M6
Z	125 mm
d3	76 mm
A	27,5 mm
A1	15 mm
B1	48,4 mm
H	185 mm
J	150 mm
N	18 mm
S	3 mm
Weight	2,76 Kg
Basic dynamic load rating (C)	43,5 kN
Category	Flange Block Bearings
Inventory	0.0
Manufacturer Name	SCHAEFFLER GROUP
Minimum Buy Quantity	N/A
Weight / Kilogram	3.308
EAN	4012802097108
Product Group	M06110
Number of Mounting Holes	4
Mounting Method	Eccentric Collar
Housing Style	4 Bolt Round Flange Cartridge



NTN Bearing Driveshaft USA CORP.

Rolling Element	Ball Bearing
Housing Material	Cast Iron
Expansion / Non-expansion	Non-expansion
Mounting Bolts	18 Millimeter
Relubricatable	Yes
Insert Part Number	GRAE55NPPB
Seals	Double Lip Contact
Housing Configuration	1 Piece Solid
Pilot Configuration	With Pilot
Inch - Metric	Metric
Long Description	4 Bolt Round Flange Cartridge; 55MM Bore; 150MM Bolt Circle; 107.5MM Bolt Spacing; 1 Piece Solid; Eccentric Collar Mount; Cast Iron; Ball Bearing; 48.42MM Length Thru Bore; Relubricatable; Double Lip
Other Features	Single Row Centering Spigot With Set Screw
Category	Flange Block
UNSPSC	31171501
Harmonized Tariff Code	8483.20.40.40
Noun	Bearing
Keyword String	Flanged
Manufacturer URL	http://www.ina.com
Manufacturer Item Number	PME55
Weight / LBS	6.085
Nominal Bolt Circle Diameter Round	5.9 Inch 150 Millimeter
Cartridge Pilot Diameter	4.921 Inch 125 Millimeter
Bore	2.165 Inch 55 Millimeter
Cartridge Pilot Depth	0.374 Inch 9.5 Millimeter
Bolt Spacing	4.2 Inch 107.5 Millimeter



NTN Bearing Driveshaft USA CORP.

Length Thru Bore	1.906 Inch 48.42 Millimeter
------------------	----------------------------------