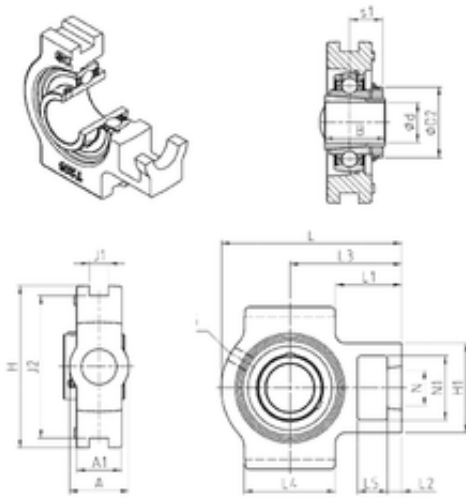




NTN Bearing Driveshaft USA CORP.



SNR UKT212H Bearing units

Bearing No. UKT212H

Bore Diameter	55 mm
d	55 mm
L4	102 mm
L5	32 mm
L2	19 mm
L3	119 mm
s1	31 mm
A	64 mm
A1	42 mm
B	62 mm
D2	80 mm
H	146 mm
H1	102 mm
L	194 mm
L1	68 mm
N	35 mm
N1	64 mm
Thread (G)	M6x1
J1	22 mm
J2	130 mm
Weight	4,7 Kg
Basic dynamic load rating (C)	52,5 kN
A2	42 mm
A5	31 mm
B1	62 mm
d1	80 mm

UKT212H Bearing 2D drawings and 3D CAD models



NTN Bearing Driveshaft USA CORP.

G	M6x1
H2	102 mm
N2	64 mm
C	52.5 kN
C0	32.8 kN
T min.	-20 ° C
T max.	100 ° C
Adapter sleeve reference	H2312
Designation of housing	T212-
Designation of bearing	UK212G2H