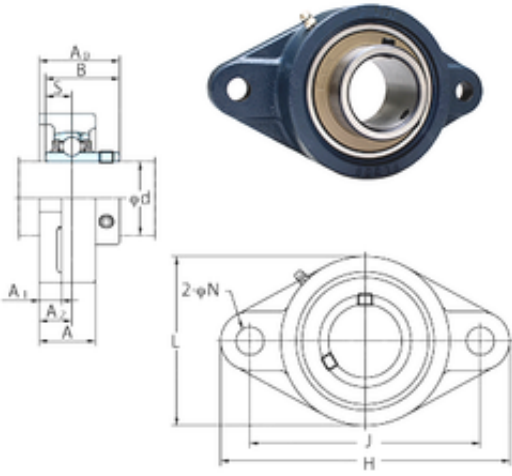




# NTN Bearing Driveshaft USA CORP.

## FYH UCFL201-8E Bearing units

Bearing No. UCFL201-8E



UCFL201-8E Bearing 2D drawings and 3D CAD models

Bore Diameter	12,7 mm
d	12,7 mm
A0	33,3 mm
A	25,5 mm
A1	11 mm
B	31 mm
H	98 mm
J	76,2 mm
L	56 mm
N	10 mm
S	12,7 mm
A2	15 mm
Weight	0,42 Kg
Basic dynamic load rating (C)	12,8 kN
Basic static load rating (C0)	6,65 kN