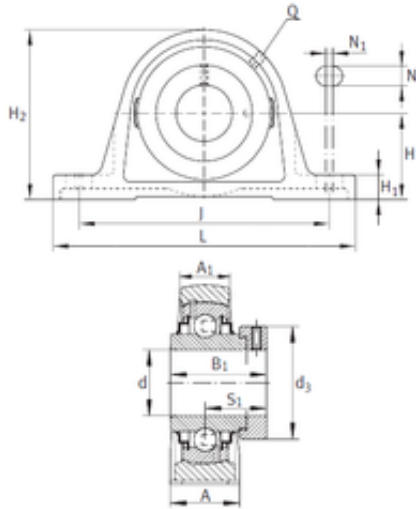




NTN Bearing Driveshaft USA CORP.



INA RASE1-5/8 Bearing units

Bearing No. RASE1-5/8

Bore Diameter	41,275 mm
d	41,275 mm
S1	35,103 mm
Thread (Q)	1/8 NPT
A	51,791 mm
A1	35,002 mm
B	56,49 mm
H	54,001 mm
H1	21,997 mm
H2	107,011 mm
J	148,489 mm
L	195 mm
N	14,301 mm
N1	11,989 mm
Category	Pillow Block Bearings
Inventory	0.0
Manufacturer Name	SCHAEFFLER GROUP
Minimum Buy Quantity	N/A
Weight / Kilogram	2.4
Product Group	M06110
Number of Mounting Holes	2
Mounting Method	Eccentric Collar
Housing Style	2 Bolt Pillow Block
Rolling Element	Ball Bearing
Housing Material	Cast Iron
Expansion / Non-expansion	Non-expansion

RASE1-5/8 Bearing 2D drawings and 3D CAD models



NTN Bearing Driveshaft USA CORP.

Relubricatable	Yes
Insert Part Number	G1110KRRB
Seals	Double Land Riding Rubber Contact
Housing Configuration	1 Piece Solid
Inch - Metric	Inch
Other Features	Single Row Standard Shaft Height With Set Screw
Long Description	2 Bolt Pillow Block; 1-5/8" Bore; 2-1/8" Base to Center Height; Eccentric Collar Mount; Ball Bearing; 5-3/8" Minimum Bolt Spacing; 6.319" Bolt Spacing Maximum; Relubricatable; Cast
Category	Pillow Block
UNSPSC	31171511
Harmonized Tariff Code	8483.20.40.40
Noun	Bearing
Keyword String	Pillow Block
Manufacturer URL	http://www.ina.com
Manufacturer Item Number	RASE1-5/8
Weight / LBS	5.292
Bolt Spacing Maximum	6.319 Inch 160.5Millimeter
Base to Center Height	2.125 Inch 53.98 Millimeter
Bolt Spacing Minimum	5.374 Inch 136.5Millimeter
Nominal Bolt Center to Center	5.8 Inch 146.5 Millimeter
Actual Bolt Center to Center	0 Inch 0Millimeter
Bore	1.625 Inch 41.275 Millimeter
Length Thru Bore	2.217 Inch 56.3 Millimeter