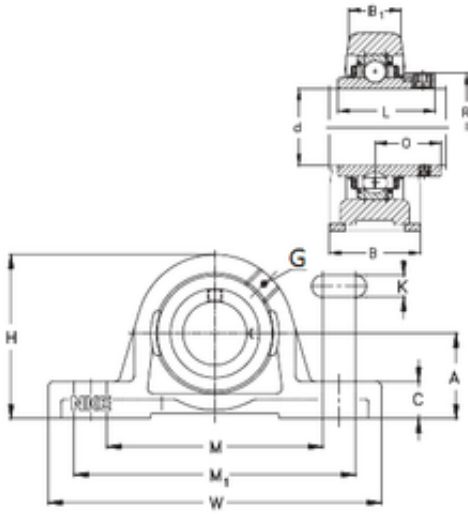




NTN Bearing Driveshaft USA CORP.



NKE PASEY30-N Bearing units

Bearing No. PASEY30-N

Bore Diameter	30 mm
Width	40 mm
d	30 mm
O	21 mm
A	42,9 mm
B	40 mm
B1	25 mm
C	17 mm
H	82 mm
K	14 mm
L	30 mm
M	109,5 mm
M1	125,5 mm
W	158 mm
Thread (G)	R1/8 "

PASEY30-N Bearing 2D drawings and 3D CAD models