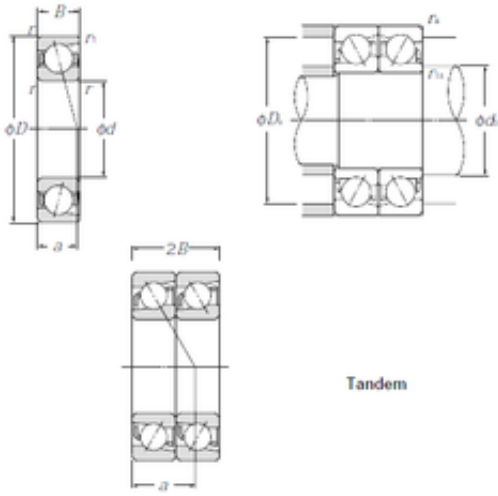




# NTN Bearing Driveshaft USA CORP.



80 mm x 125 mm x 22 mm CYSD 7016CDT  
Angular contact ball bearings

Bearing No. 7016CDT

Size	80x125x22 mm
Bore Diameter	80 mm
Outer Diameter	125 mm
Width	22 mm
d	80 mm
D	125 mm
B	22 mm
C	22 mm
Angle ( ° )	15 °
r min.	1,1 mm
2B	44 mm
Weight	1,644 Kg
Basic dynamic load rating (C)	95,5 kN
Basic static load rating (C0)	111 kN
(Grease) Lubrication Speed	6400 r/min

7016CDT Bearing 2D drawings and 3D CAD models