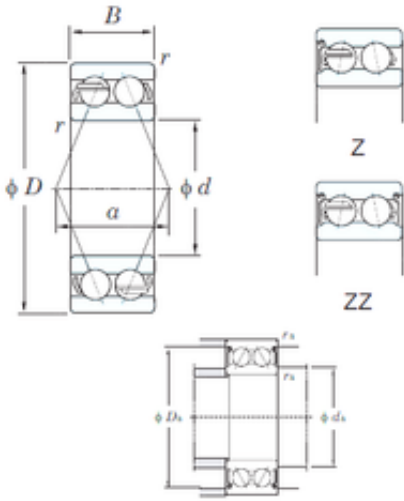




# NTN Bearing Driveshaft USA CORP.



5211ZZ Bearing 2D drawings and 3D CAD models

55 mm x 100 mm x 33.3 mm KOYO 5211ZZ  
Angular contact ball bearings

Bearing No. 5211ZZ

Size	55x100x33.3 mm
Bore Diameter	55 mm
Outer Diameter	100 mm
Width	33.3 mm
d	55 mm
D	100 mm
B	33.3 mm
C	33.3 mm
a	50.2 mm
r min.	1.5 mm
da min.	63.5 mm
da max	66.2 mm
Da max.	91.5 mm
ra max.	1.5 mm
Weight	0.960 Kg
Basic dynamic load rating (C)	52.9 kN
Basic static load rating (C0)	44.7 kN
Category	Angular Contact Ball Bearings
Inventory	0.0
Manufacturer Name	KOYO
Minimum Buy Quantity	N/A
Weight / Kilogram	1.039
EAN	0605790370236
Product Group	B00152



## NTN Bearing Driveshaft USA CORP.

Enclosure	2 Metal Shields
Flush Ground	No
Rolling Element	Ball Bearing
Number of Rows of Balls	Double Row
Precision Class	ABEC 1   ISO P0
Maximum Capacity / Filling Slot	No
Snap Ring	No
Cage Material	Steel
Contact Angle	24 Degree
Internal Clearance	C0-Medium
Number of Bearings	1 (Single)
Inch - Metric	Metric
Long Description	55MM Bore; 100MM Outside Diameter; 33.3MM Width; 2 Metal Shields; No Flush Ground; Ball Bearing; Double Row of Balls; ABEC 1   ISO P0; No Filling Slot; No Snap Ring; C0-Medium; Steel Cage; 24 Degree;
Category	Angular Contact Ball Bearing
UNSPSC	31171531
Harmonized Tariff Code	8482.10.50.28
Noun	Bearing
Keyword String	Angular Contact
Manufacturer URL	<a href="http://www.koyousa.com">http://www.koyousa.com</a>
Bore	2.165 Inch   55 Millimeter
Width	1.311 Inch   33.3 Millimeter
Outside Diameter	3.937 Inch   100 Millimeter