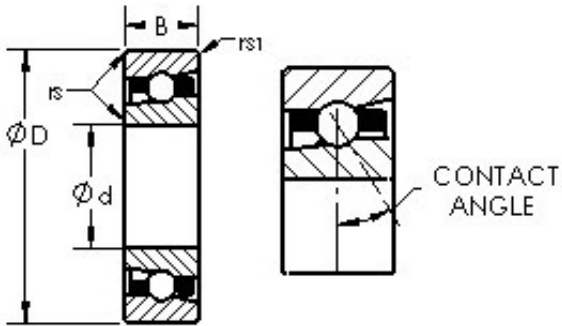




NTN Bearing Driveshaft USA CORP.



AST H71914C/HQ1 Angular contact ball bearings

Bearing No. H71914C/HQ1

Size	70x100x16 mm
Bore Diameter	70 mm
Outer Diameter	100 mm
Width	16 mm
Bearing Type	15 deg contact, high speed
Bore Dia (d)	70.0000
Outer Dia (D)	100.0000
Width (B)	16.0000
Radius (min) (rs)	1.000
Dynamic Load Rating (Cr)	20,900
Static Load Rating (Cor)	17,800
Max Speed (Grease) (X1000 RPM)	18
Max Speed (Oil) (X1000 RPM)	30
Radius (min) (rs1)	0.300
Material	52100 Chrome steel (or equivalent)

H71914C/HQ1 Bearing 2D drawings and 3D CAD models