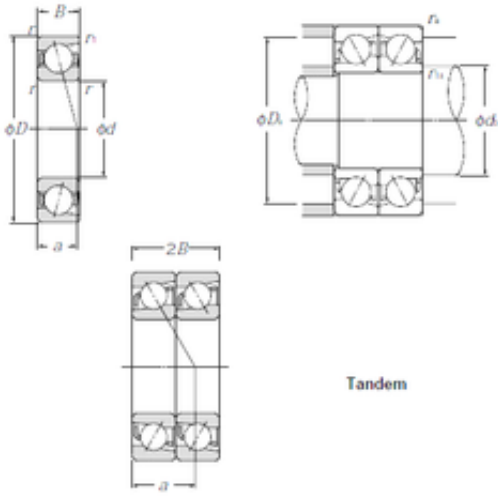




# NTN Bearing Driveshaft USA CORP.



45 mm x 100 mm x 25 mm CYSD 7309CDT  
Angular contact ball bearings

Bearing No. 7309CDT

Size	45x100x25 mm
Bore Diameter	45 mm
Outer Diameter	100 mm
Width	25 mm
d	45 mm
D	100 mm
B	25 mm
C	25 mm
Angle ( )	15 °
r min.	1,5 mm
2B	50 mm
Weight	1,66 Kg
Basic dynamic load rating (C)	104 kN
Basic static load rating (C0)	86 kN
(Grease) Lubrication Speed	9000 r/min

7309CDT Bearing 2D drawings and 3D CAD models