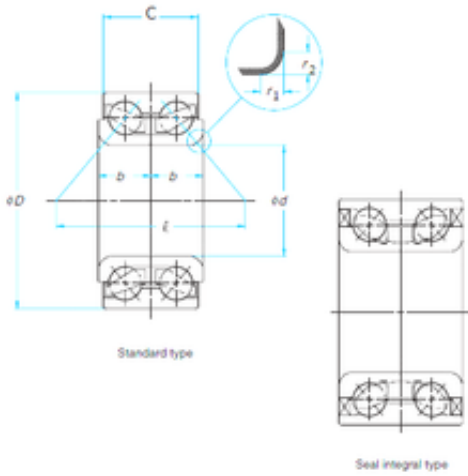




NTN Bearing Driveshaft USA CORP.



42 mm x 76 mm x 40 mm CYSD
 DAC4276040/37 Angular contact ball bearings

Bearing No. DAC4276040/37

Size	42x76x40 mm
Bore Diameter	42 mm
Outer Diameter	76 mm
Width	40 mm
d	42 mm
D	76 mm
B	40 mm
C	40 mm

DAC4276040/37 Bearing 2D drawings and 3D CAD models