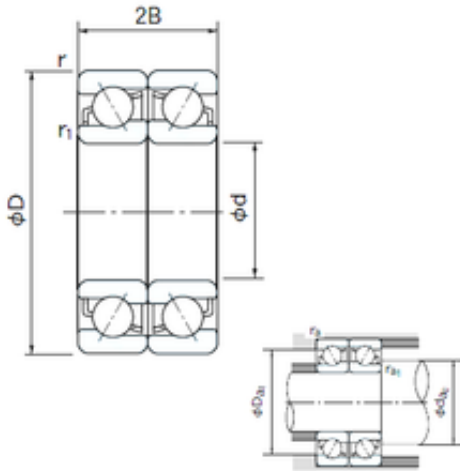




# NTN Bearing Driveshaft USA CORP.



7020CDF Bearing 2D drawings and 3D CAD models

100 mm x 150 mm x 24 mm NACHI 7020CDF  
Angular contact ball bearings

Bearing No. 7020CDF

|                               |                  |
|-------------------------------|------------------|
| Size                          | 100x150x24 mm    |
| Bore Diameter                 | 100 mm           |
| Outer Diameter                | 150 mm           |
| Width                         | 24 mm            |
| d                             | 100 mm           |
| D                             | 150 mm           |
| B                             | 24 mm            |
| C                             | 24 mm            |
| Angle ( ° )                   | 15 °             |
| a                             | 2.4 mm           |
| r min.                        | 1.5 mm           |
| r1 min.                       | 1 mm             |
| 2B                            | 48 mm            |
| da min.                       | 107 mm           |
| Da max.                       | 145.6 mm         |
| ra max.                       | 1 mm             |
| Weight                        | 1.37 Kg          |
| Basic dynamic load rating (C) | 123 kN           |
| Basic static load rating (C0) | 156 kN           |
| (Grease) Lubrication Speed    | 5100 r/min       |
| Bore Type                     | Cylindrical Bore |
| Enclosure                     | Open             |
| Configuration                 | Duplex           |
| Bore Size                     | 100 mm           |
| Outside Diameter              | 150 mm           |



## NTN Bearing Driveshaft USA CORP.

|                         |           |
|-------------------------|-----------|
| Width                   | 24 mm     |
| Fillet Radius/Chamfer   | 1.5 mm    |
| r1                      | 1 mm      |
| Dynamic Load Rating     | 123,000 N |
| Static Load Rating      | 156,000 N |
| Limiting Speed - Grease | 5,100 rpm |
| Limiting Speed - Oil    | 7,000 rpm |
| da1 (min)               | 107 mm    |
| da2 (min)               | 107 mm    |
| Da1 (max)               | 143 mm    |
| Da2 (max)               | 145.6 mm  |
| ra (max)                | 1.5 mm    |
| ra1 (max)               | 1 mm      |