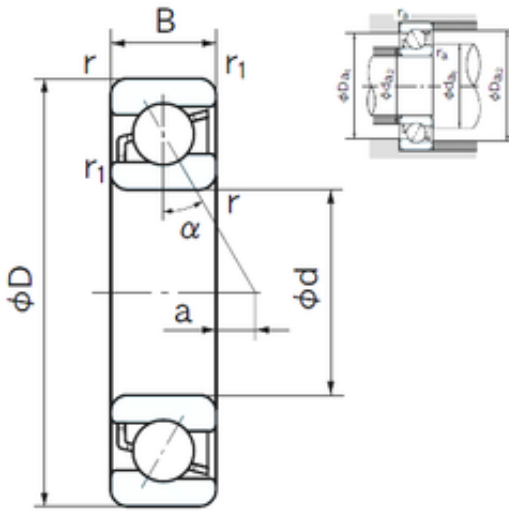




NTN Bearing Driveshaft USA CORP.



25 mm x 52 mm x 15 mm NACHI 7205 Angular contact ball bearings

Bearing No. 7205

7205 Bearing 2D drawings and 3D CAD models

Size	25x52x15 mm
Bore Diameter	25 mm
Outer Diameter	52 mm
Width	15 mm
d	25 mm
D	52 mm
B	15 mm
C	15 mm
Angle (°)	30 °
a	3.6 mm
r min.	1 mm
r1 min.	0.6 mm
da min.	31 mm
Da max.	46 mm
ra max.	1 mm
Weight	0.135 Kg
Basic dynamic load rating (C)	16,2 kN
Basic static load rating (C0)	10,2 kN
(Grease) Lubrication Speed	12000 r/min
Configuration	Single Row
Enclosure	Open
Bore Type	Cylindrical Bore
Bore Size	25 mm
Outside Diameter	52 mm
Width	15 mm



NTN Bearing Driveshaft USA CORP.

Fillet Radius/Chamfer	1 mm
r1	0.6 mm
Dynamic Load Rating	16,200 N
Static Load Rating	10,200 N
Limiting Speed - Grease	12,000 rpm
Limiting Speed - Oil	15,000 rpm
da1 (min)	31 mm
da2 (min)	28 mm
Da1 (max)	46 mm
Da2 (max)	48.4 mm
ra (max)	1 mm
ra1 (max)	0.6 mm